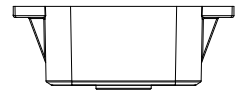
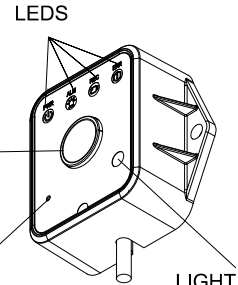


Revision Notes.				
R1 -				
APA: -	Drawn:-	Checked:-	Approved:-	Date: -



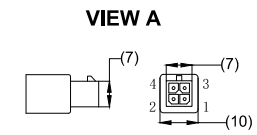
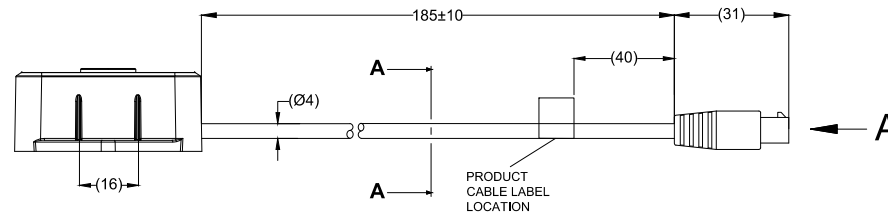
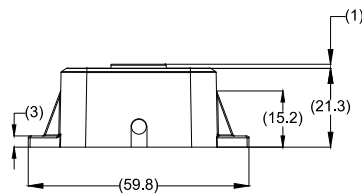
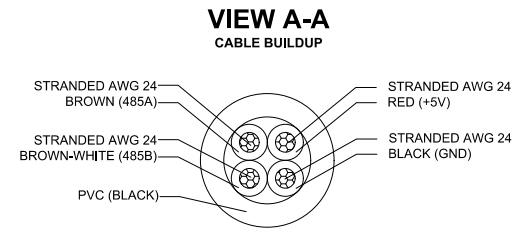
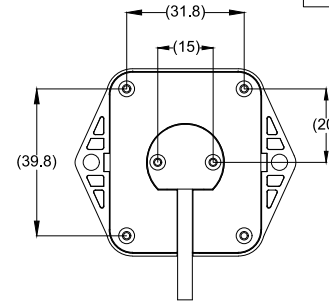
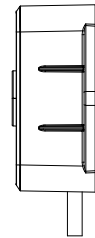
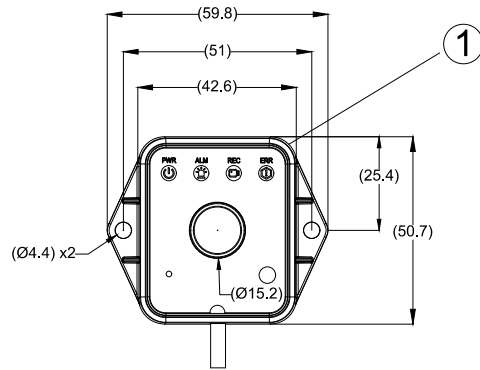
PANIC BUTTON



LIGHT SENSOR
(FOR AUTOMATIC BRIGHTNESS ADJUSTMENT (2 LEVELS))

LED NAME	LED COLOUR	DESCRIPTION
PWR	BLUE	(POWER) REMOTE PANEL POWERED ON
ALM	RED	(ALARM) ANY MDR ALARM BEING TRIGGERED
REC	GREEN	(RECORDING) HDD RECORDING
ERR	ORANGE	(ERROR) HDD ERROR (NO HDD OR HDD DAMAGED)

ITEM	PART NUMBER	MODEL NUMBER	DESCRIPTION
①	6017	MDR-RP-02-P	MDR PANIC BUTTON & STATUS PANEL (BODY ONLY)
②	6018	MDR-04RPC	MDR PANIC BUTTON & STATUS PANEL - 4M CABLE



PIN #	WIRE COLOUR	DESCRIPTION
1	RED	+5V
2	BROWN-WHITE	485B
3	BROWN	485A
4	BLACK	GND

- NOTES:
 1. FINISH: BLACK
 2. MATERIAL: PLASTIC
 3. PANIC BUTTON: RED
 4. REFERENCE MDR INSTRUCTION MANUAL FOR FUNCTIONALITY.
 5. PRINTED TEXT TO BE WHITE SILKSCREEN.
 6. FOR PRODUCT CABLE LABEL REFER TO LATEST REVISION OF DRAWING BE-004150-XX-19.
 7. FOR SERIAL NUMBER LABEL REFER TO LATEST REVISION OF DRAWING BE-003112-XX-15
 8. ANY CUSTOMER MODIFICATION OF THIS PRODUCT CAUSING SUBSEQUENT FAILURE IS NOT A LIABILITY OF BRIGADE ELECTRONICS GROUP PLC.

PROPRIETARY NOTICE
 THIS DESIGN AND TECHNICAL INFORMATION APPEARING ON THIS DRAWING IS THE PROPERTY OF BRIGADE ELECTRONICS, AND IS DISCLOSED IN CONFIDENCE. IT IS NOT TO BE COPIED, REPRODUCED, REVEALED TO OR EXPROPRIATED BY OTHERS, EITHER IN WHOLE OR IN PART WITHOUT THE EXPRESS WRITTEN CONSENT OF BRIGADE ELECTRONICS.

BRIGADE

Assembly Pl Approval CAROL LI	Approved by L. PILLAY	Checked by J. STEWART	Drawn by S.ZHANG
Angle of Projection 	Units mm	Scale N/A	Released 17/02/20
Status RELEASED	Assembly Ref MDR-RP-02		
Part No 6016	BE-004285-00-19		